

DOMESTIC HOT WATER TANK KIT

- PHLTA (1Φ)
- PHLTC (3Φ)
- PHLTB



*The sensor (PHRSTAO) can be purchased separately in case of using other brand's Domestic tank.

Features

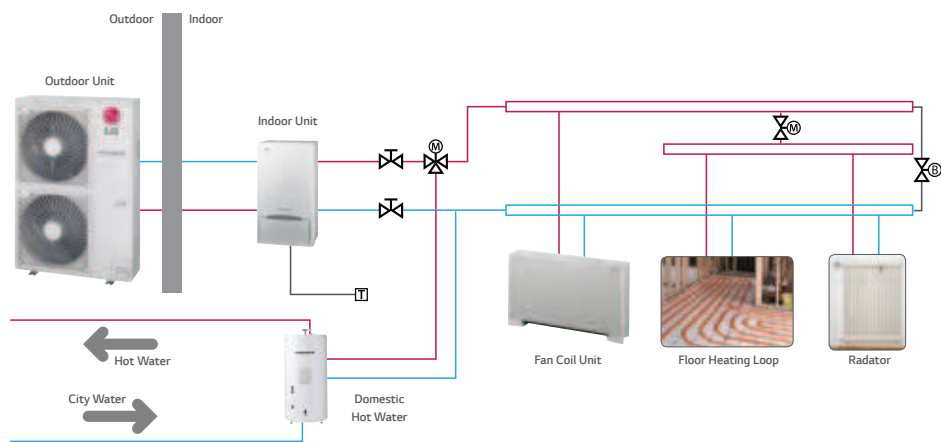
Easy to install the domestic hot water for monobloc. There is a MCCB to protect the product.
 Dimension(mm) (HxWxD) : 250x170x110
 Weight(kg) : 2.1

To extend THERMA V functionality in generating domestic hot water.

※ To be installed inside THERMA V indoor unit.

Application

Components : THERMA V system, PHLTA, PHLTC, and field-supplied items.



SOLAR THERMAL KIT

- PHLLA



Features

To interface solar-thermal system with THERMA V and double coil Domestic tank.
 Installed at the water pipe, between Domestic tank and solar-thermal system.
 Dimension(mm) (HxWxD) : 110x55x22

Application

Components : THERMA V system, PHLTA, PHLTC, and field-supplied items.

